

MAKEN

Make It Happen

Heavy Duty Medium Cash Drawer

INNOVATION QUALITY SERVICE

MK-4100 Series MK-410

Made of heavy gauge steel, suitable for heavy duty use and prolonged operational life, the ideal choice for reliability and perfect platform for any EPOS terminal also the ideal base for large size ECR.



Easy access
interface location



Durable Metal Wire Gripper Bill Holder
Tested over one million operations

Easy and comfortable operation. Human
Engineering Design

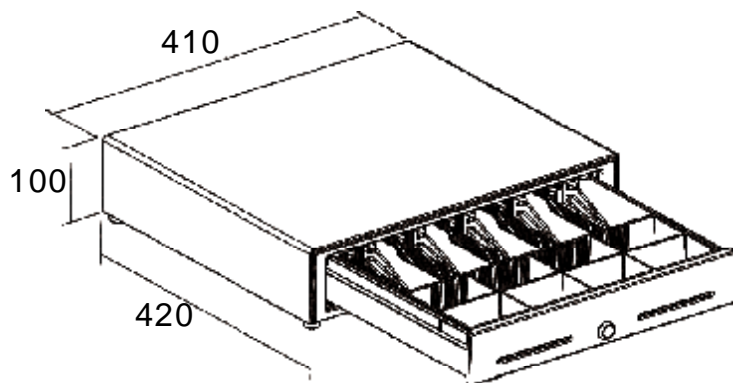
Removable and adjustable cash tray

MK-410 Series Specifications

MODEL NUMBER	MK-410
PHYSICAL	
Dimension	410(W)x420(D)x100(H)mm
Construction	Thick gauge cold rolled steel & SECC
Finish	Textured hybrid powder coat
Color	Black, (pantone black c"wk03665")
Roller	Polyurethane for smooth operation
CASH TRAY (INSERT)	
Construction	Shatter-resistant plastic
Currency Layout	4 - Bill with Metal Metal wire grips, 8 Adjustable Coin Slots
Media Slots	2
OPERATION	
Drawer Lock	3-Position lock / 4-Functions: locked open/closed, manual open, electronically driven
Interface	RJ11, RJ12
Lifecycle	MTBF 1,000,000 times +
Micro Switch	Cash Drawer Status Micro Switch

ACCESSORIES		
OPTION	Part Number	Description
Micro-switch	Tray-4148	Cash Tray

Packing Details			
Models	Net Weigt(kg)	Gross Weight(kg)	Carton Size(cm)
MK-410	7.8	8.8	47.0 × 48.0 × 17.0



MK-410

Xiamen Maken Tech Co., Ltd.

No.77,Huli Industrial Zone,Xike,
Tong' an District,Xiamen 361100
Fujian China

Tel: +86-592-5768733
Fax: +86-592-5768735
www.maken.com.cn
E-mail: export@maken.com.cn

Specifications are subjected to change without notice.

